



DEPARTMENT OF REGULATORY AND ECONOMIC RESOURCES (RER)
 BOARD AND CODE ADMINISTRATION DIVISION
NOTICE OF ACCEPTANCE (NOA)

MIAMI-DADE COUNTY
 PRODUCT CONTROL SECTION
 11805 SW 26 Street, Room 208
 Miami, Florida 33175-2474
 T (786) 315-2590 F (786) 315-2599
www.miamidade.gov/economy

Gensteel Doors Inc.
4950 Hickmore Street
Ville St. Laurent, Quebec, Canada H4T1K6

SCOPE:

This NOA is being issued under the applicable rules and regulations governing the use of construction materials. The documentation submitted has been reviewed and accepted by Miami-Dade County RER -Product Control Section to be used in Miami Dade County and other areas where allowed by the Authority Having Jurisdiction (AHJ). This NOA shall not be valid after the expiration date stated below. The Miami-Dade County Product Control Section (In Miami Dade County) and/or the AHJ (in areas other than Miami Dade County) reserve the right to have this product or material tested for quality assurance purposes. If this product or material fails to perform in the accepted manner, the manufacturer will incur the expense of such testing and the AHJ may immediately revoke, modify, or suspend the use of such product or material within their jurisdiction. RER reserves the right to revoke this acceptance, if it is determined by Miami-Dade County Product Control Section that this product or material fails to meet the requirements of the applicable building code. This product is approved as described herein, and has been designed to comply with the Florida Building Code, including the High Velocity Hurricane Zone.

DESCRIPTION: Series "GenStorm" Outswing Opaque Steel Doors

APPROVAL DOCUMENT: Drawing No. **AD10-01**, titled "Genstorm Outswing Steel Door System - LMI", sheet 1 through 8 of 8, dated 02/05/11 and last revised on NOV 15, 2017, prepared by MCY Engineering, Inc., signed and sealed by Yiping Wang, P.E., bearing the Miami-Dade County Product Control Revision stamp with the Notice of Acceptance number and expiration date by the Miami-Dade County Product Control Section.

MISSILE IMPACT RATING: Large Missile Impact Resistant

Limitations:

1. See Design Pressures in sheet **1**. See anchor options in sheet **2** and Hardware options in sheet **6**. Max. Exterior (positive) DP= +65, where water infiltration requirement is needed.
2. Options #1 and 6 require total two (2) surface bolts (top/bottom) on **active** panel of the single or double doors.

LABELING: Each unit shall bear one of the following permanent labels:

Gensteel Doors Inc.	Gensteel Doors Inc.	North American Doors Corp.
4950 Hickmore Street	2335 Industrial Park Drive	1471 Military Turnpike
Ville St. Laurent, Quebec, Canada H4T1K6	Cornwall, Ontario, Canada K6H7M4	Plattsburgh, NY 12901-1911

and series and the statement: "Miami-Dade County Product Control Approved".

RENEWAL of this NOA shall be considered after a renewal application has been filed and there has been no change in the applicable building code negatively affecting the performance of this product.

TERMINATION of this NOA will occur after the expiration date or if there has been a revision or change in the materials, use, and/or manufacture of the product or process. Misuse of this NOA as an endorsement of any product, for sales, advertising or any other purposes shall automatically terminate this NOA. Failure to comply with any section of this NOA shall be cause for termination and removal of NOA.

ADVERTISEMENT: The NOA number preceded by the words Miami-Dade County, Florida, and followed by the expiration date may be displayed in advertising literature. If any portion of the NOA is displayed, then it shall be done in its entirety.

INSPECTION: A copy of this entire NOA shall be provided to the user by the manufacturer or its distributors and shall be available for inspection at the job site at the request of the Building Official. This NOA revises NOA #15-0825.04 and consists of this page 1 and evidence pages E-1 & E-2, as well as approval document mentioned above.

The submitted documentation was reviewed by **Ishaq I. Chanda, P.E.**



NOA No. 17-0803.01
 Expiration Date: July 14, 2020
 Approval Date: December 28, 2017
 Page 1

12/21/17

NOTICE OF ACCEPTANCE: EVIDENCE SUBMITTED

1. Evidence submitted in previous files

A. DRAWINGS

1. Manufacturer's die drawings and sections (submitted under file listed below)
2. Drawing No. **AD10-01**, titled "Genstorm Outswing Steel Door System - LMI", sheet 1 through 8 of 8, dated 02/05/11 and last revised on AUG 21, 2015, prepared by MCY Engineering, Inc., signed and sealed by Yiping Wang, P.E.

B. TESTS (submitted under files #12-0223.34 /#10-1203.02/#05-0127.11)

1. Test reports on 1) Uniform Static Air Pressure Test, Loading per FBC, TAS 202-94
2) Water Resistance Test, per FBC, TAS 202-94 (PMK 2005-AT)

Along with marked-up drawings and installation diagram of Genstorm Opaque Double Swinging Doors, prepared by Fenestration Testing Laboratory, Inc., Test Report No. **FTL 6346**, dated 10/14/10, signed and sealed by Jorge A. Causo, P.E.

2. Test reports on 1) Air Infiltration Test, per FBC, TAS 202-94
2) Uniform Static Air Pressure Test, Loading per FBC, TAS 202-94
3) Water Resistance Test, per FBC, TAS 202-94 (PMK177T threshold)
4) Large Missile Impact Test per FBC, TAS 201-94
5) Cyclic Wind Pressure Loading per FBC, TAS 203-94
6) Forced Entry Test, per FBC 2411 3.2.1 and TAS 202-94
7) Tensile test per FBC, TAS 202

Along with marked-up drawings and installation diagram of Genstorm Opaque, Glazed and Louvered Single and Double Swinging Doors, prepared by Fenestration Testing Laboratory, Inc., Test Report No. **FTL 5877**, dated 10/13/09 and **FTL 5898**, dated 09/14/09, both signed and sealed by Julio E. Gonzalez, P.E. (transferred from file # **10-0125.01**)

3. Additional Test reports per FBC TAS 201, 202 and 203-94, test report No. **ITS-3058370-DOUBLE**, dated 12/09/04 for Double Outswing Honeycomb Steel Door System, prepared by Intertek Testing Services, **signed** and sealed by Stephen J. Emerman, P. E. (**# 05-0127.11**).

C. CALCULATIONS

1. Anchor verification calculations and structural analysis, complying with FBC-2014(5th Edition), prepared by MCY Engineering, Inc, dated 08/21/15, signed and sealed by Yiping Wang, P.E.

D. QUALITY ASSURANCE

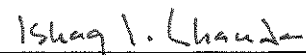
1. Miami Dade Department of Regulatory and Economic Resources (RER).

E. MATERIAL CERTIFICATIONS

1. Tensile Test, per ASTM A370-05 item B (1) (7)
2. Tensile test report N0. FTL 5877 per ASTM A370-05 dated 10/13/09, issued by Fenestration Testing Lab, signed and sealed by Julio Gonzales, P.E. (submitted under file # **10-1203.02**).

F. STATEMENTS

1. Statement letter of conformance to FBC 2014 (5th Edition), dated 08/20/15, prepared by MCY Engineering, Inc, signed and sealed by Yiping Wang, P.E.
2. Statement letter of Lab. Compliance, as a part of above test reports.



Ishaq I. Chanda, P.E.
Product Control Examiner
NOA No. 17-0803.01

Expiration Date: July 14, 2020
Approval Date: December 28, 2017

NOTICE OF ACCEPTANCE: EVIDENCE SUBMITTED

G. OTHER

1. This NOA **revises & renews # 12-0223.35**, expired on 07/14/15.
2. Test proposal No. **08-1489**, issued to Gensteel Door Inc, approved on 11/14/08.
3. Distribution agreement between GenSteel Door, Canada & North American Door Corp, N.Y. dated 10/22/10, signed by Bruno Gervasi and Antonio Gervasi, respectively.

1. New Evidence submitted.

A. DRAWINGS

1. Drawing No. **AD10-01**, titled "Genstorm Outswing Steel Door System - LMI", sheet 1 through 8 of 8, dated 02/05/11 and last revised on NOV 15, 2017, prepared by MCY Engineering, Inc., signed and sealed by Yiping Wang, P.E.

B. Test

1. Test reports on
 - 1) Air Infiltration Test, per FBC, TAS 202-94
 - 2) Uniform Static Air Pressure Test, Loading per FBC, TAS 202-94
 - 3) Water Resistance Test, per FBC, TAS 202-94(PMK177T threshold)
 - 4) Large Missile Impact Test per FBC, TAS 201-94
 - 5) Cyclic Wind Pressure Loading per FBC, TAS 203-94
 - 6) Forced Entry Test, per FBC 2411 3.2.1 and TAS 202-94
 - 7) Tensile test per FBC, TAS 202

Along with marked-up drawings and installation diagram of Genstorm Opaque, Glazed and Louvered Single and Double Swinging Doors, prepared by Fenestration Testing Laboratory, Inc., Test Report No. **FTL 5877** dated 12/08/09 signed and sealed by Julio E. Gonzalez, P.E. and **FTL 7224** dated 02/12/14, signed and sealed by Marlin Brinson, P.E.

C. CALCULATIONS

1. None

D. QUALITY ASSURANCE

1. Miami Dade Department of Regulatory and Economic Resources (RER).

E. MATERIAL CERTIFICATIONS


1. None

F. STATEMENTS

1. Statement letter of conformance to FBC 2014 (5th Edition) & FBC 2017 (6th Edition) dated 05/16/17, prepared by MCY Engineering, Inc., signed and sealed by Yiping Wang, P.E.

G. OTHER

1. This NOA **revises NOA # 15-0825.04**, expiring 07/14/20.
2. Test Proposal **#17-0053** dated FEB 03, 2017 approved by RER.



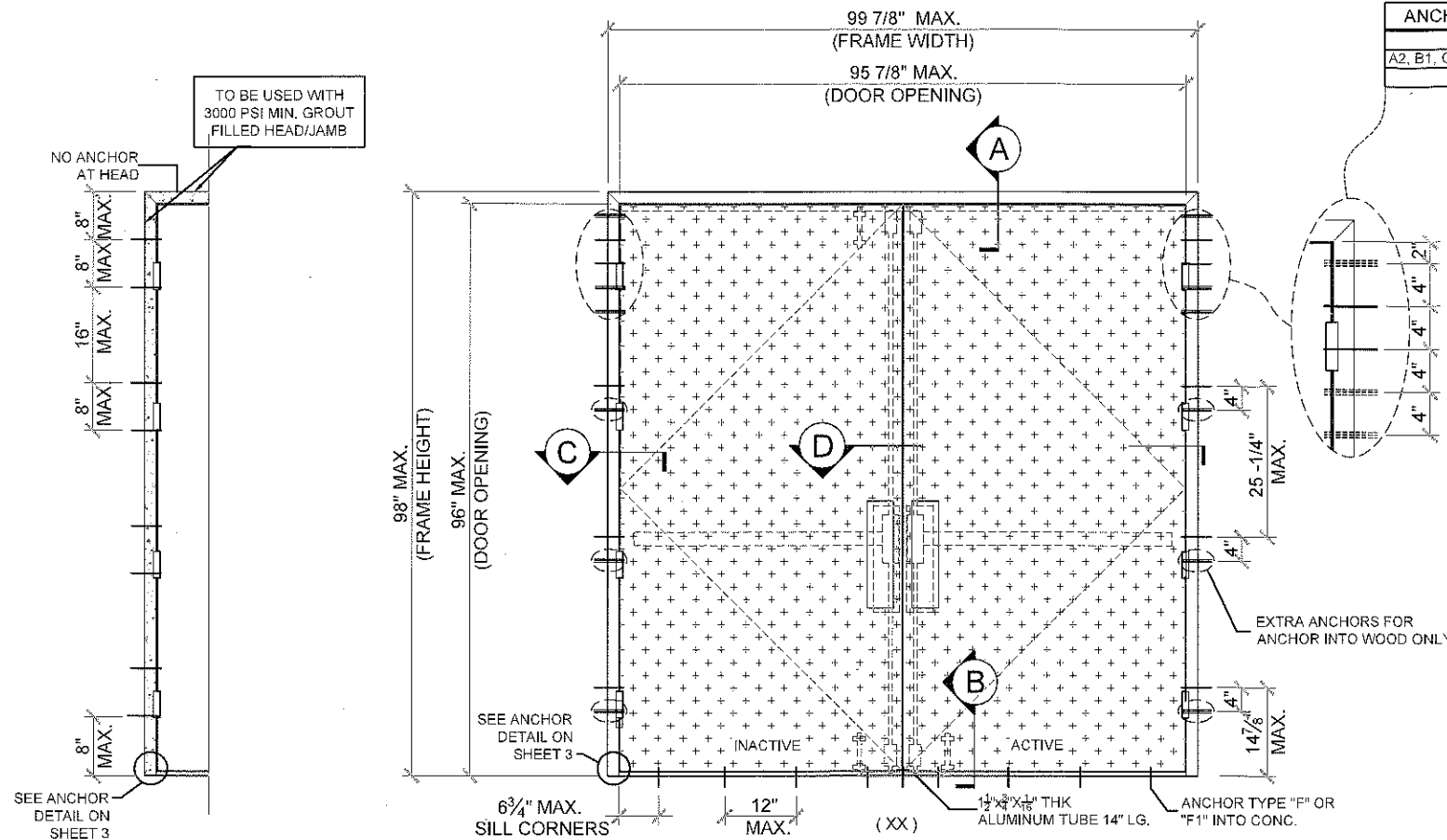
Ishaq I. Chanda, P.E.

Product Control Examiner

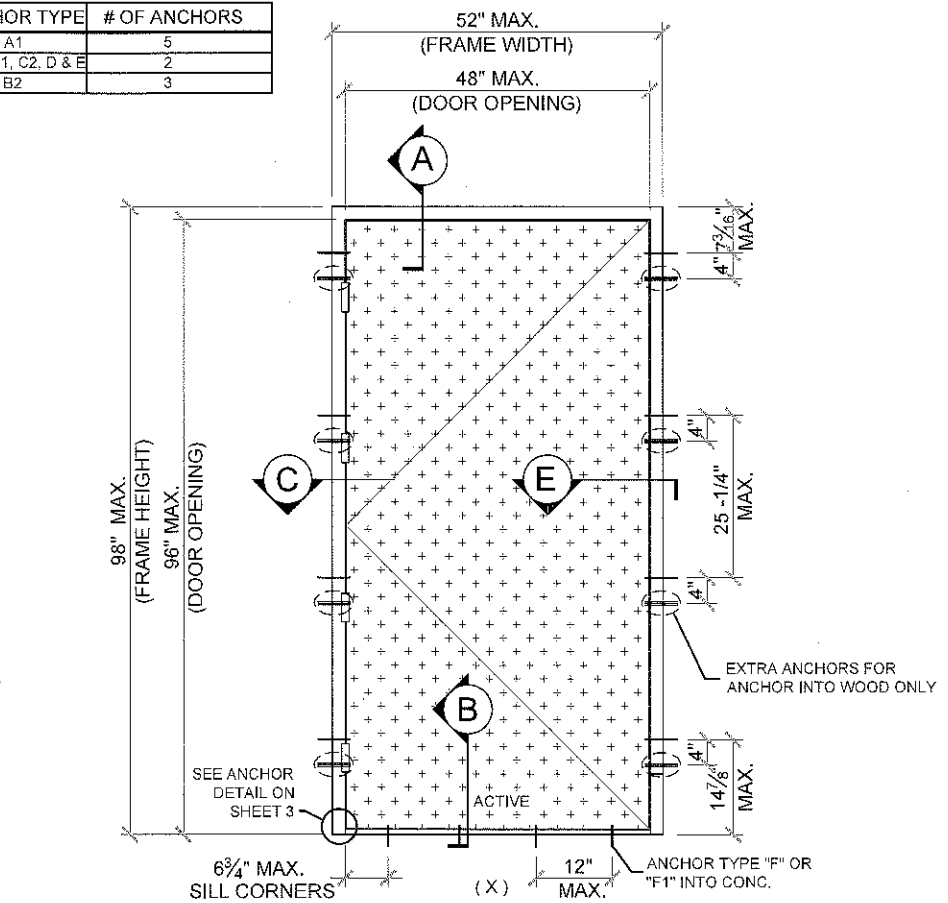
NOA No. 17-0803.01

Expiration Date: July 14, 2020

Approval Date: December 28, 2017



ANCHOR TYPE	# OF ANCHORS
A1	5
A2, B1, C1, C2, D & E	2
B2	3



ANCHOR LAYOUT
(FOR WIRE ANCHOR ONLY)

DOUBLE DOOR TYP. ELEVATION

SINGLE DOOR TYP. ELEVATION
HARDWARE CONFIGURATION OPTION 1 THRU 10 FOR ACTIVE PANEL ONLY

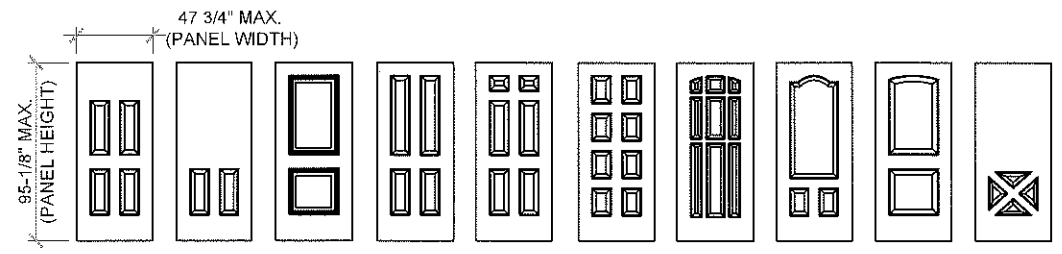
DESIGN LOAD
(FOR SIZES SHOWN ABOVE OR SMALLER AS PERMITTED BY FBC)
+65.0 PSF
-65.0 PSF

SERIES GENSTORM OPAQUE OUTSWING STEEL DOOR (LMI)

- THIS PRODUCT HAS BEEN DESIGNED AND TESTED TO COMPLY WITH THE REQUIREMENTS OF THE 6TH EDITION FLORIDA BUILDING CODE (2017) INCLUDING HIGH VELOCITY HURRICANE ZONE (HVHZ).
- DOORS RATED FOR LARGE MISSILE IMPACT AND DO NOT REQUIRE SHUTTERS.
- DOORS APPROVED FOR INSTALLATIONS WHERE WATER INFILTRATION RESISTANCE IS NOT REQUIRED. (SINGLE ROW SELF ADHESIVE CLOSED CELL FOAM TAPE TO BE APPLIED ENTIRE PERIMETER OF FRAME).
- ANCHORS SHALL BE AS LISTED, SPACED AS SHOWN ON DETAILS. ANCHORS EMBEDMENT TO BASE MATERIAL SHALL BE BEYOND WALL DRESSING OR STUCCO.
- ANCHORING OR LOADING CONDITIONS NOT SHOWN IN THESE DETAILS ARE NOT PART OF THIS APPROVAL.
- MATERIALS INCLUDING BUT NOT LIMITED TO STEEL/METAL SCREWS THAT COME INTO CONTACT WITH OTHER DISSIMILAR MATERIALS SHALL MEET THE REQUIREMENTS OF THE 6TH EDITION FLORIDA BUILDING CODE (2017) SECTION AS APPLICABLE.
- METAL STRUCTURES NOT BY GENSTEEL DOOR CO. MUST SUPPORT LOADS IMPOSED BY DOOR SYSTEM AND TRANSFER THEM TO THE BUILDING STRUCTURE.

- ULTIMATE DESIGN LOAD OBTAINED FROM ASCE 7-10, MULTIPLY BY 0.6, SHALL BE LESS THAN OR EQUAL TO MAX. DESIGN LOAD IN THIS DOCUMENT.
- 2X WOOD BUCKS BY OTHERS MUST BE ANCHORED PROPERLY TO TRANSFER LOADS TO THE STRUCTURE.
- A LOAD DURATION FACTOR IN ALLOWABLE STRESS IS USED IN DESIGN OF ANCHORS INTO WOOD ONLY.
- DOOR PANEL: MIN. 20 GA.(0.039") STEEL MIN. Fy = 55 KSI MIN., Fu=53 KSI MIN.
- DOOR FRAME: MIN. 18 GA.(0.048") STEEL MIN. Fy = 48 KSI MIN., Fu=53 KSI MIN.
- DOOR PANEL STAINLESS OPTION: 20 GA.(0.039") STAINLESS STEEL DOOR PANEL MEETING MIN. Fy = 55 KSI, Fu=53 KSI MIN. OR BETTER MAY QUALIFY HAVING "MIL-CERTIFICATE" AS A VERIFICATION OF THE AVAILABLE MIN. YIELD STRENGTH.
- DOOR FRAME STAINLESS OPTION: 18 GA.(0.048") STAINLESS STEEL DOOR FRAME MEETING MIN Fy = 48 KSI, Fu=53 KSI MIN. OR BETTER MAY QUALIFY HAVING "MIL-CERTIFICATE" AS A VERIFICATION OF THE AVAILABLE MIN. YIELD STRENGTH.

NOTES:
EGRESS REQUIREMENTS TO BE REVIEWED BY BUILDING OFFICIAL.



OPTIONAL EMBOSSED DOOR LEAF PATTERNS:

NOV 15 2017

PRODUCT REVISED
as complying with the Florida Building Code
Acceptance No. 17-0803-01
Expiration Date: JULY 04, 2020
Yiping Wang
Product Control

MIAMI DADE COUNTY

YIPING WANG, P.E.
FLORIDA REGISTRATION
PE #55983
C.A.N. 28677
Yiping Wang

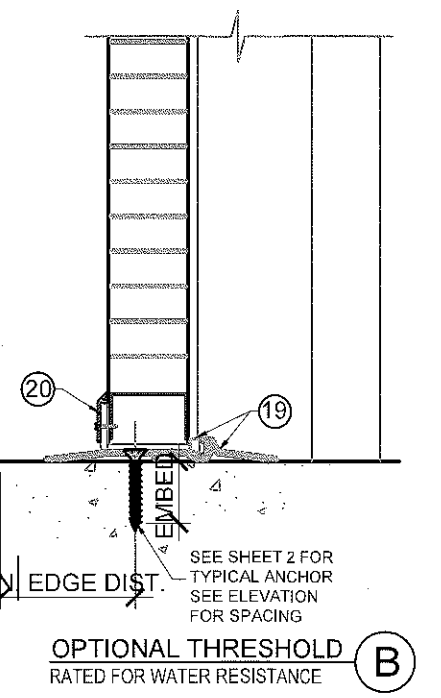
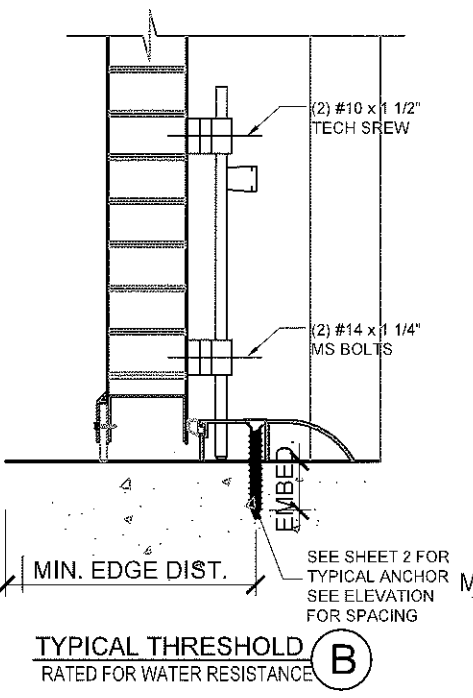
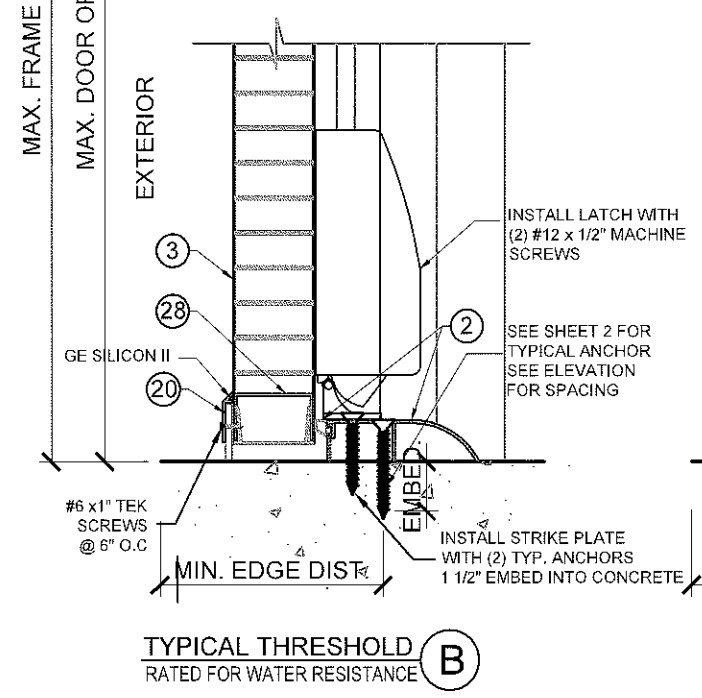
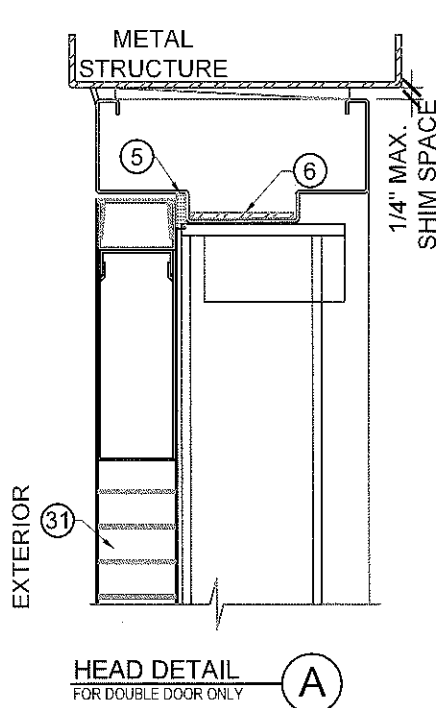
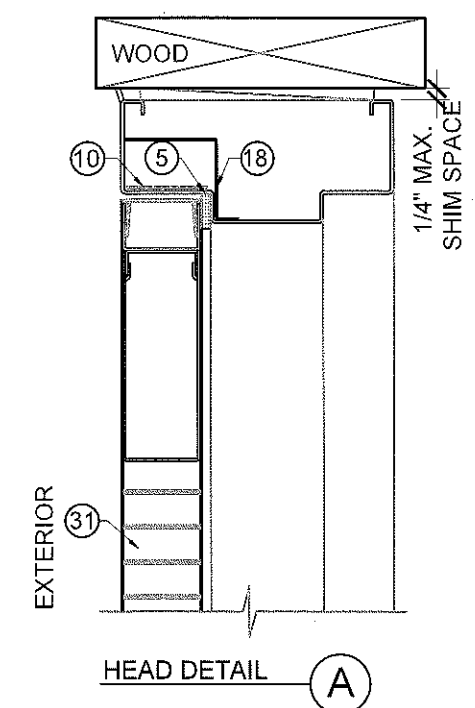
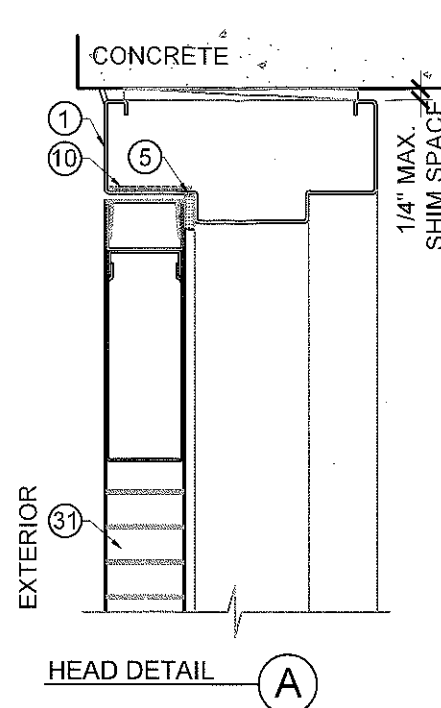
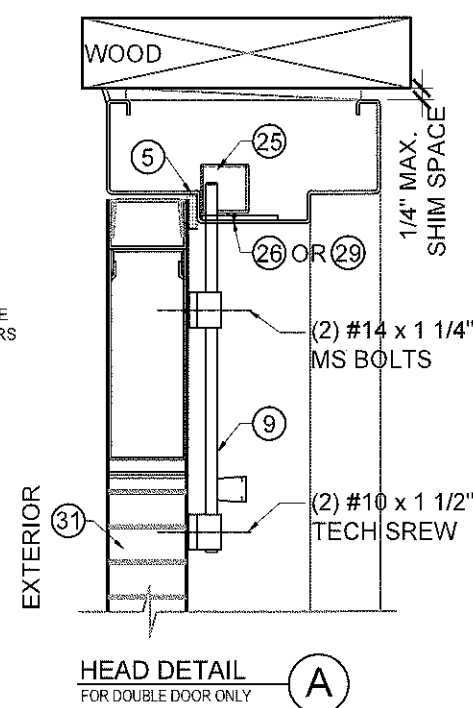
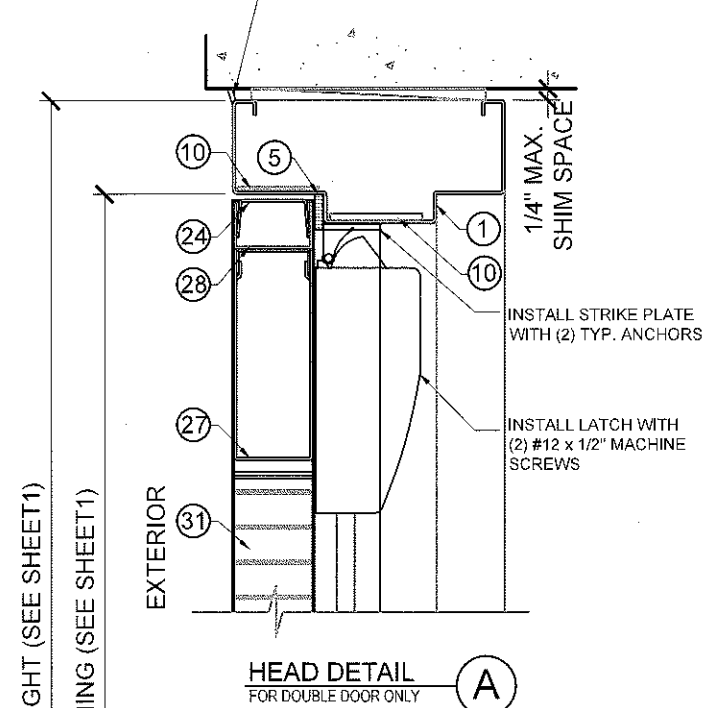
NO.	DATE	DESCRIPTION
1	7/10/10	AS PER BCCO
2	8/20/15	2014 FBC
3	7/25/17	2017 FBC

MCY
MCY ENGINEERING, INC.
GLAZING CONSULTANTS
8501 SW 124 AVE. STE. 205A P: 305.271.0117
MIAMI, FL. 33183 F: 786.573.5063
www.MCYUS.com MCY.Engineering@Att.net

GENSTORM OUTSWING STEEL DOOR SYSTEM - LMI
gensteeldoors
www.gensteeldoors.com
4950 Hickmore, St. Laurent, Quebec, Canada, H4T1K6
Tel: (514) 733-3562 Fax: (514) 733-1932

DATE	02-05-11
SCALE	N.T.S.
DRAWN	S.L.
PROJECT	10-01
DRAWING NO. AD10-01	
SHEET 1 OF 8	

APPROVED SEALANT /CAULKING TO BE APPLIED AS NEEDED



TYPICAL ANCHORS @ THRESHOLD:

TYPE F.1 1/4" OR 5/16" DIA. ULTRACONS BY 'ELCO' Fy = 155 KSI Fu = DIRECTLY INTO fc'=3000 PSI MIN. CONCRETE
1-1/2" MIN. EMBED
2-1/2" MIN. EDGE DISTANCE

TYPE F.2 1/4" TAPCON BY ITW Fy = 90 KSI Fu = 120 KSI
DIRECTLY INTO fc'=3000 PSI MIN. CONCRETE
1-1/2" MIN. EMBED
2-1/2" MIN. EDGE DISTANCE

SEALANT:
ALL FRAME JOINTS AND CORNERS TO BE SEALED WITH SILICONE AT PERIMETER
ALL SCREWS SEALED WITH GE SILICONE II

NOV 15 2017

ANCHOR @ JAMB BOTTOM CORNER:

TYPE F.3 3/16" DIA. ULTRACONS BY 'ELCO' Fy=155 KSI Fu=177 KSI
DIRECTLY INTO fc'=3000 PSI MIN. CONCRETE
1-1/2" MIN. EMBED, 2-1/2" O.C.
2-1/2" MIN. EDGE DISTANCE

ANCHOR @ REMOVABLE MULLION BOTTOM:

TYPE F.3 3/8" DIA. SLEEVE ANCHOR BY 'WEJ-IT'
DIRECTLY INTO fc'=3000 PSI MIN. CONCRETE
1-1/2" MIN. EMBED, 1-3/4" O.C.
2-1/2" MIN. EDGE DISTANCE

ANCHOR @ REMOVABLE MULLION TOP:

TYPE E.1 1/4" SMS OR #14 SMS (MIN. GRADE 2 CRS) OR ST/ST
DIRECTLY INTO fc'=3000 PSI MIN. CONCRETE
1-1/2" MIN. EMBED, 2 1/2" O.C.
2-1/2" MIN. EDGE DISTANCE

PRODUCT REVISED
as complying with the Florida Building Code
Acceptance No. 17-080301
Expiration Date 7/4/20

YIPING WANG, P.E.
FLORIDA REGISTRATION
PE #55983
C.A.N. 28677

MIAMI DADE COUNTY

NO.	DATE	DESCRIPTION
1	7/10/10	AS PER ECCO
2	8/20/15	2014 FBC
3	7/25/17	2017 FBC

MCY ENGINEERING, INC.
GLAZING CONSULTANTS

8501 SW 124 AVE. STE. 205A P: 305.271.0117
MIAMI, FL 33183 F: 786.573.5063

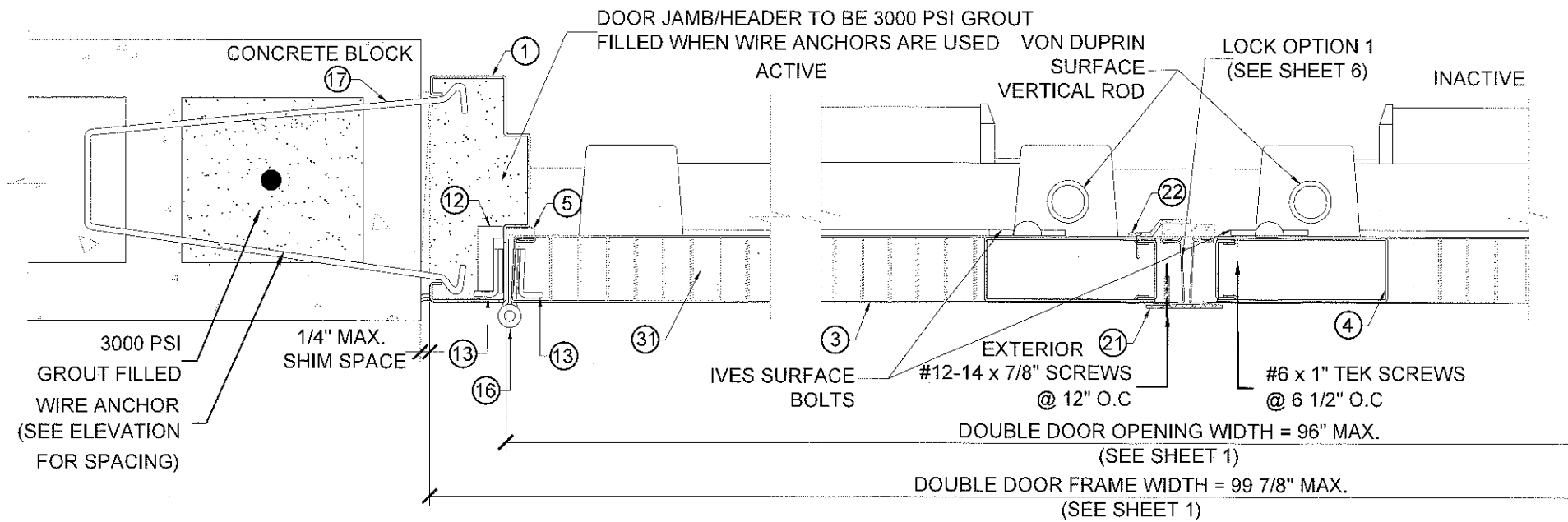
www.MCYUS.com MCY.Engineering@Att.net

GENSTORM OUTSWING STEEL DOOR SYSTEM - LMI

gensteeldoors
www.gensteeldoors.com

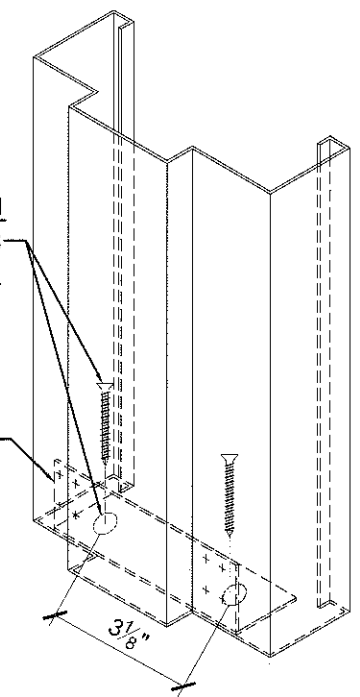
4950 Hickmore, St. Laurent, Quebec, Canada, H4T1K6
Tel: (514) 733-3562 Fax: (514) 733-1932

DATE	02-05-11
SCALE	NTS.
DRAWN	S.L.
PROJECT	10-01
DRAWING NO.	AD10-01
SHEET	2 OF 8

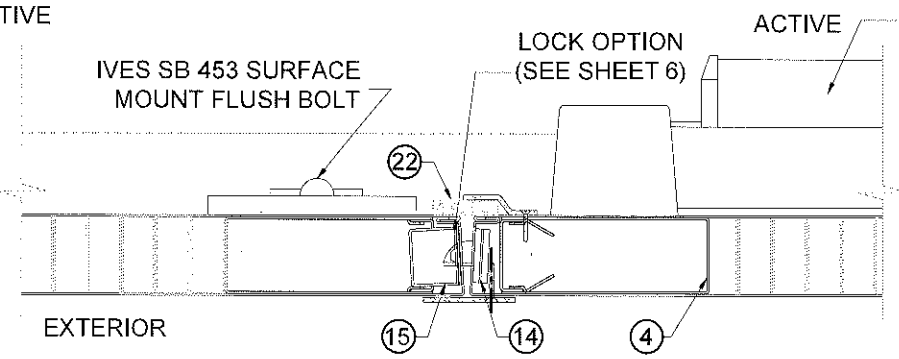
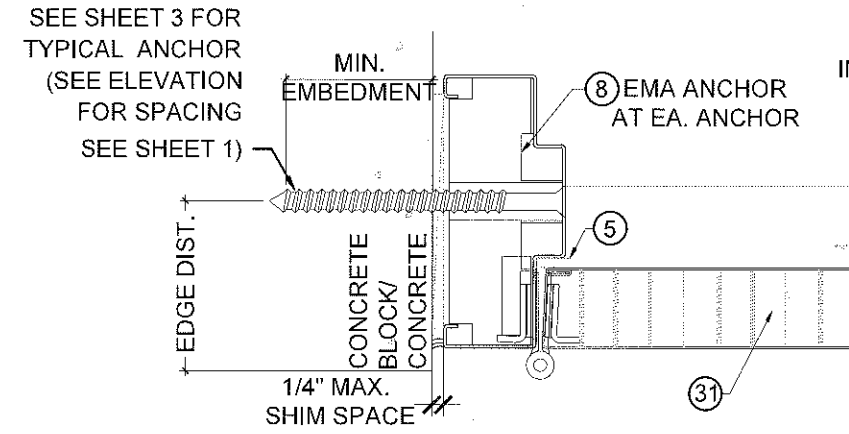


ANCHOR TYPE F1
 $\frac{3}{16}$ " DIA. ULTRACONS
 (1-1/2" EMBED) 2-1/2" E.D.

15
 1-1/2" x 1-1/2"
 18 GA STEEL
 4-1/2" LG ANGLE



OPTIONAL BOTTOM CORNER ANCHOR DETAIL



TYPICAL ANCHORS THRU EMA (EXISTING MASONRY ANCHOR) @ JAMB:

- 5/16" DIA. ULTRACONS BY 'ELCO' Fy=155 KSI Fu = 177 KSI
- TYPE A.1 DIRECTLY INTO 2BY WOOD BUCK
- TYPE A.2 DIRECTLY INTO fc'=3000 PSI CONCRETE
- 1-1/2" MIN. EMBED
- 2-1/2" MIN. EDGE DISTANCE

- 3/8" DIA. HLC SLEEVE ANCHOR BY 'HILTI'
- TYPE B.1 DIRECTLY INTO fc'=3000 PSI CONCRETE, 3" MIN. EDGE DIST.
- TYPE B.2 DIRECTLY INTO fm'=2000 PSI CONCRETE BLOCK, 3-1/2" MIN. EDGE DIST.
- 1-1/4" MIN. EMBED

- 3/8" DIA. SLEEVE ANCHOR BY 'WEJ-IT'
- TYPE C.1 DIRECTLY INTO fc'=4000 PSI CONCRETE, 2-3/8" MIN. EMBED
- TYPE C.2 DIRECTLY INTO fm'=2000 PSI CONCRETE BLOCK, 1-1/4" MIN. EMBED
- 2-3/8" MIN. EDGE DISTANCE

- TYPE D. 3/8" DIA. POWER BOLT BY 'POWERS'
- DIRECTLY INTO fc'=3000 PSI CONCRETE
- 2-1/2" MIN. EMBED
- 3" MIN. EDGE DISTANCE

- TYPE E. 5/16" DIA. SMS OR MACHINE BOLTS (MIN. GRADE 2 CRS) OR ST/ST INTO METAL STRUCTURES (STEEL OR ALUMINUM 1/8" MIN. THICK.)
- 5/8" MIN. EDGE DISTANCE
- STEEL : Fy = 36 KSI MIN.
 ALUMINUM : 6063-T6 MIN.
 (STEEL IN CONTACT WITH ALUMINUM TO BE PLATED OR PAINTED)

- TYPE G. WIRE ANCHOR (Fy =60 KSI) MIN. 10" LONG
- 0.173 DIA. STEEL WIRE ANCHORS EMBED INTO 3000 PSI CONCRETE BLOCK (HEADER/JAMB TO BE GROUTED WITH 3000 PSI CONCRETE)

** 22 PEMKO 375 ASTRAGAL W/ SPONGE NEOPRENE

PRODUCT REVIEWED
 as complying with the Florida
 Building Code
 Acceptance No 17-0803.01
 Expiration Date 7/4/20
 A. Ismail, I. H. ...
 Manager, Product Control

NOV 15 2017

YIPING WANG, P.E.
 FLORIDA REGISTRATION
 PE #55983
 C.A.N. 28677

MIAMI DADE COUNTY

NO.	DATE	DESCRIPTION
1	7/10/10	AS PER BCCO
2	8/20/15	2014 FBC
3	7/25/17	2017 FBC

MCY

MCY ENGINEERING, INC.
 GLAZING CONSULTANTS

8501 SW 124 AVE. STE. 205A P. 305.271.0117
 MIAMI, FL 33183 F. 786.573.5063

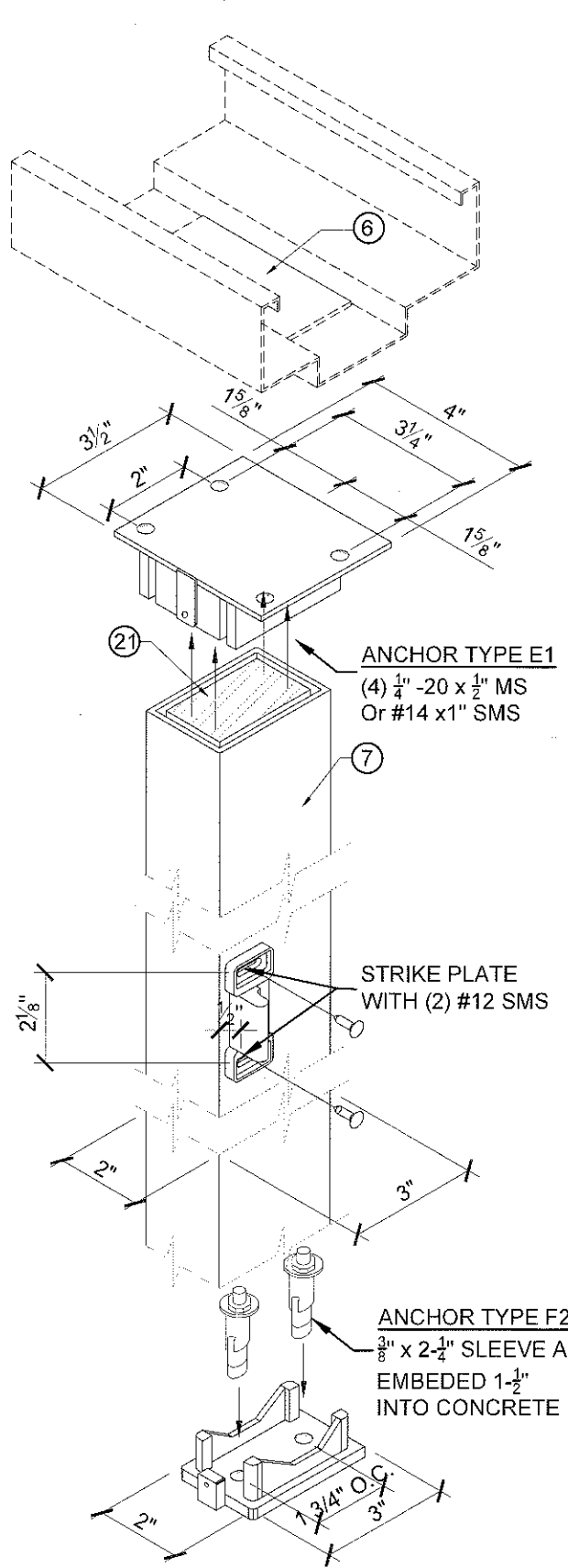
www.MCYUS.com
 MCY.Engineering@Att.net

GENSTORM OUTSWING STEEL DOOR SYSTEM - LMI

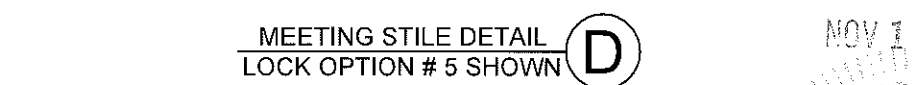
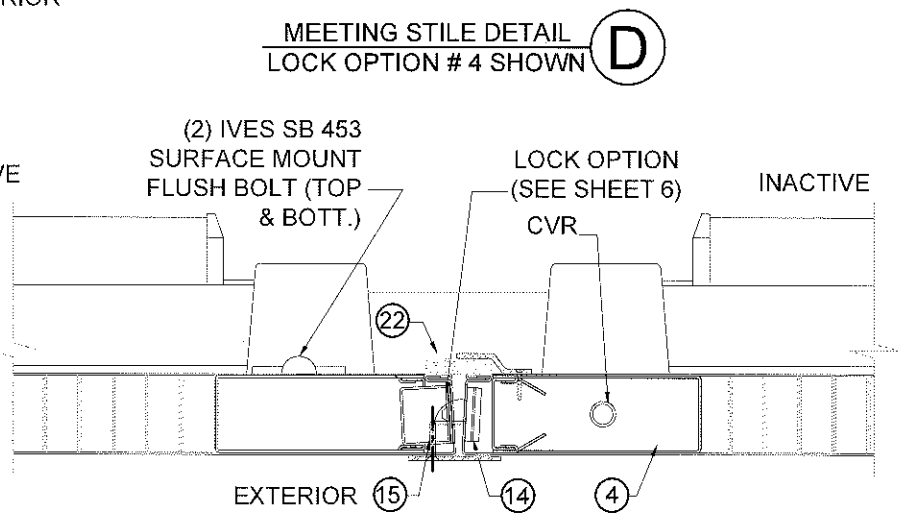
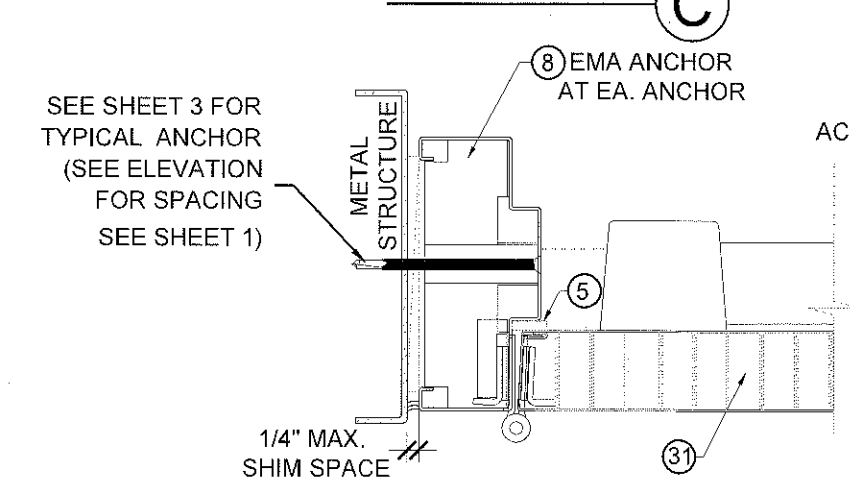
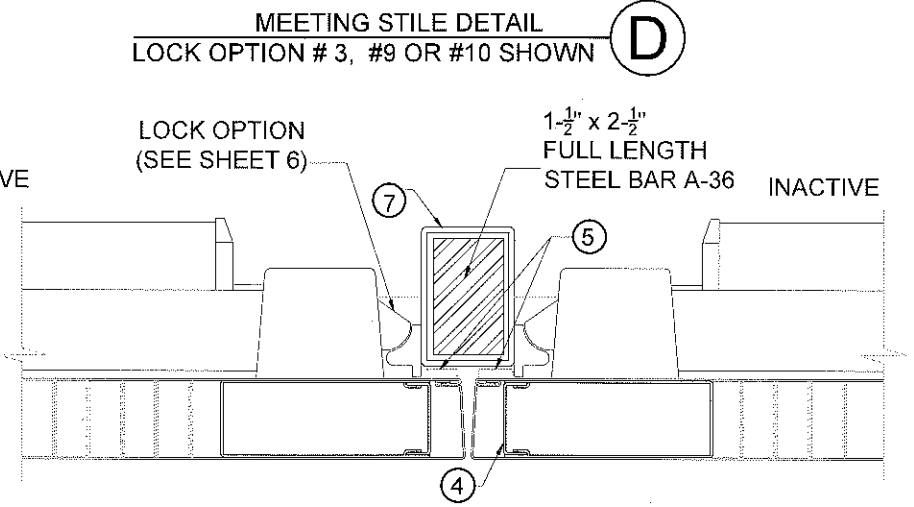
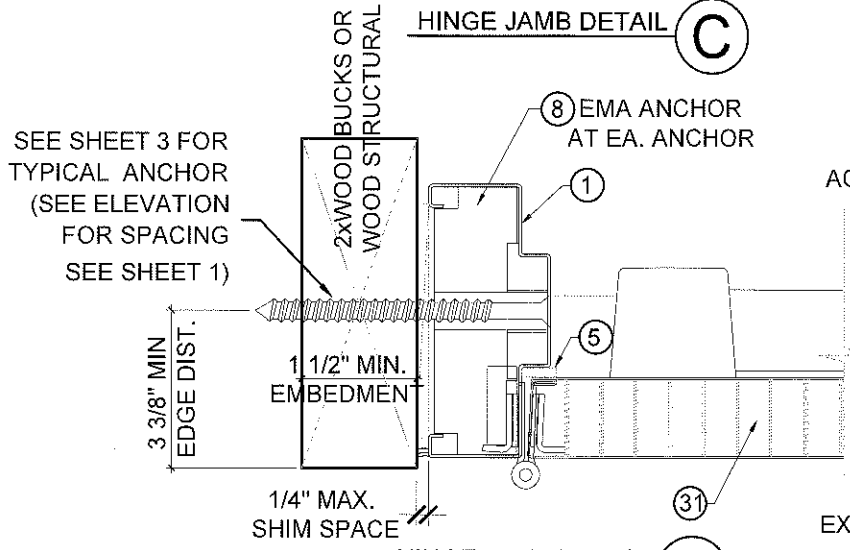
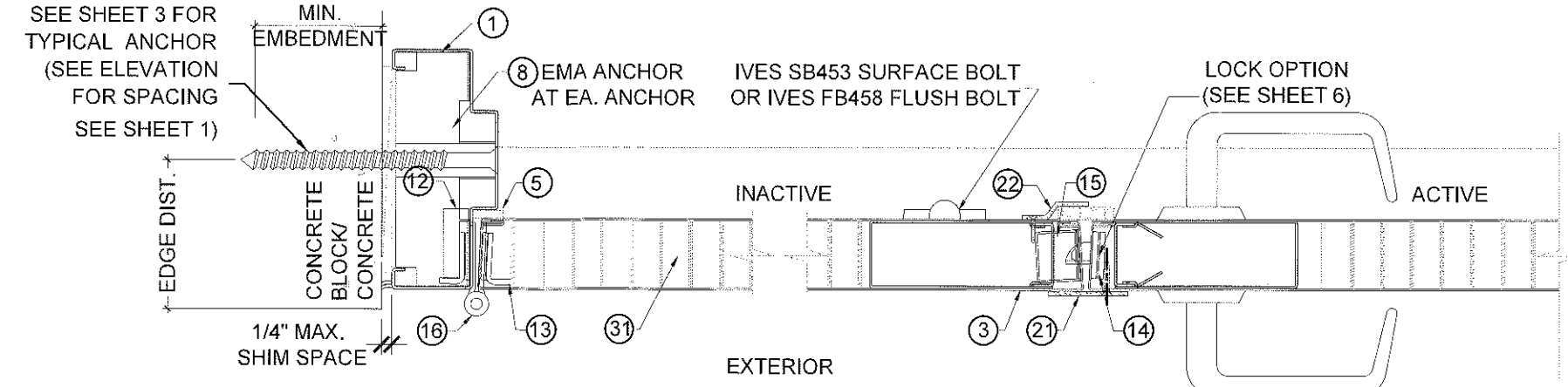
gensteeldoors

www.gensteeldoors.com
 4950 Hickmore, St. Laurent, Quebec, Canada, H4T1K6
 Tel: (514) 733-3562 Fax: (514) 733-1932

DATE	02-05-11
SCALE	NTS.
DRAWN	S.L.
PROJECT	10-01
DRAWING NO. AD10-01	
SHEET 3 OF 8	



**HC822 MULLION
REMOVABLE MULLION
W/REINFORCEMENT**



** 22 PEMKO 375 ASTRAGAL W/ SPONGE NEOPRENE

NO.	DATE	DESCRIPTION
1	7/10/10	AS PER BCCO
2	8/20/15	2014 FBC
3	7/25/17	2017 FBC

MCY ENGINEERING, INC.
GLAZING CONSULTANTS
8501 SW 124 AVE. STE. 205A P: 305.271.0117
MIAMI, FL 33183 F: 786.573.5063
www.MCYUS.com
MCY.Engineering@Att.net

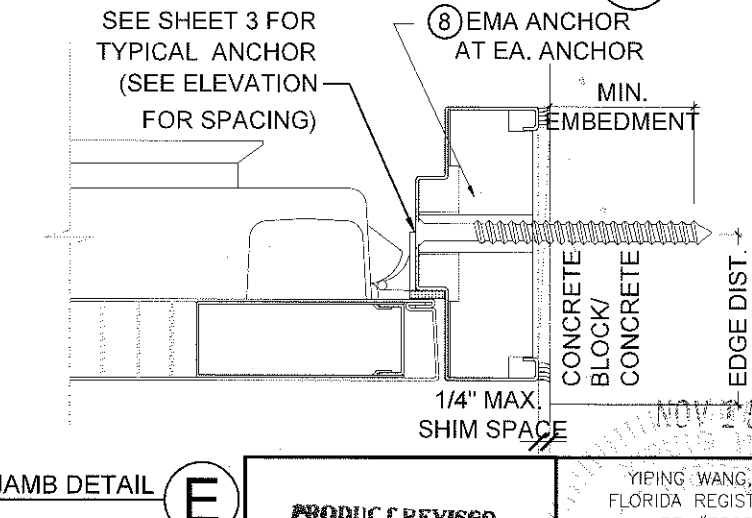
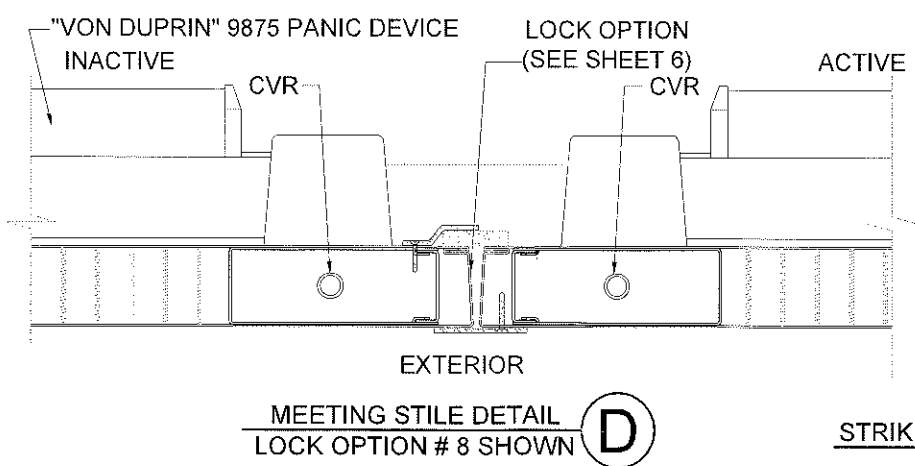
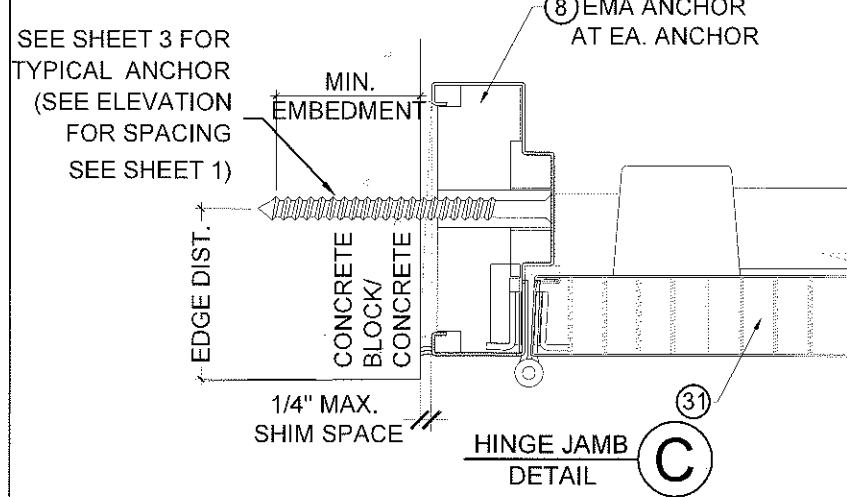
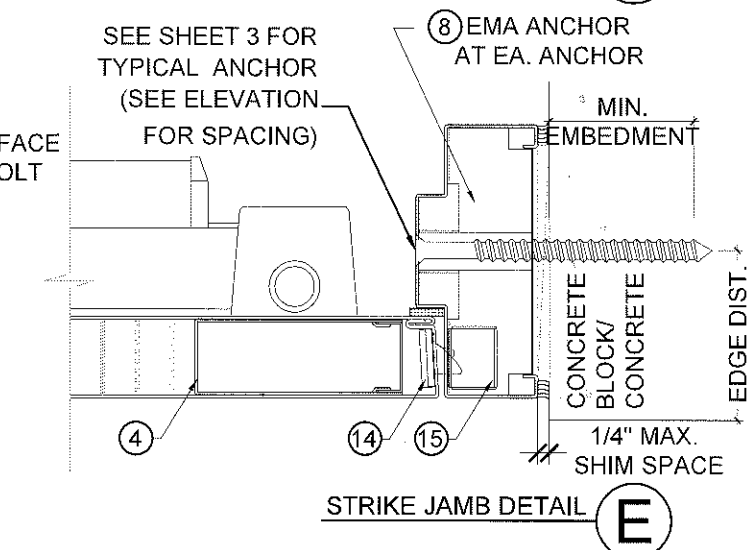
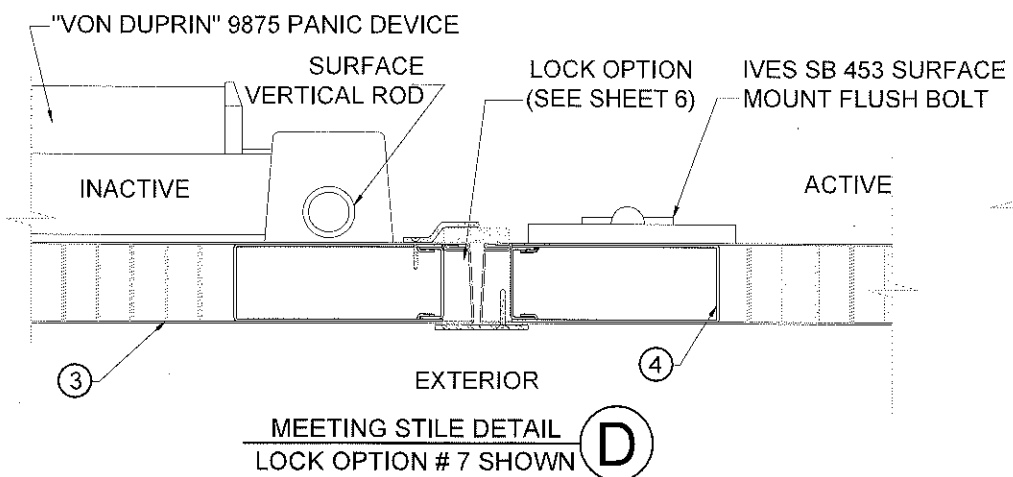
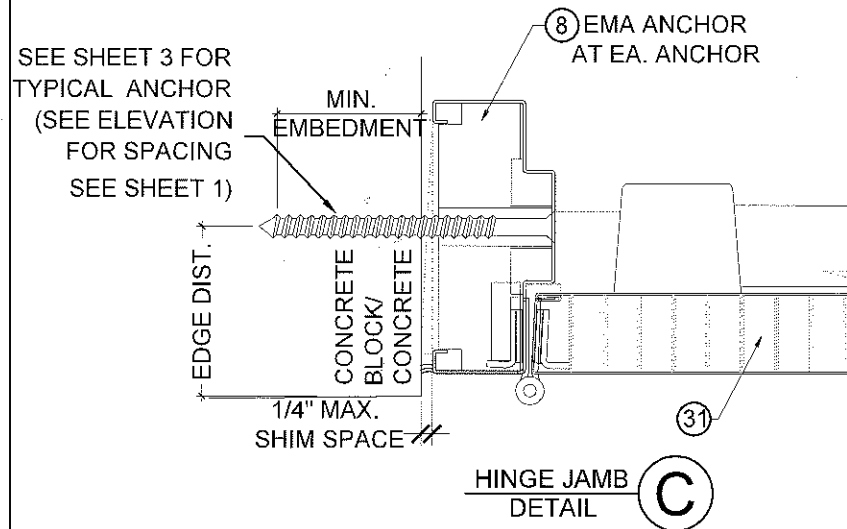
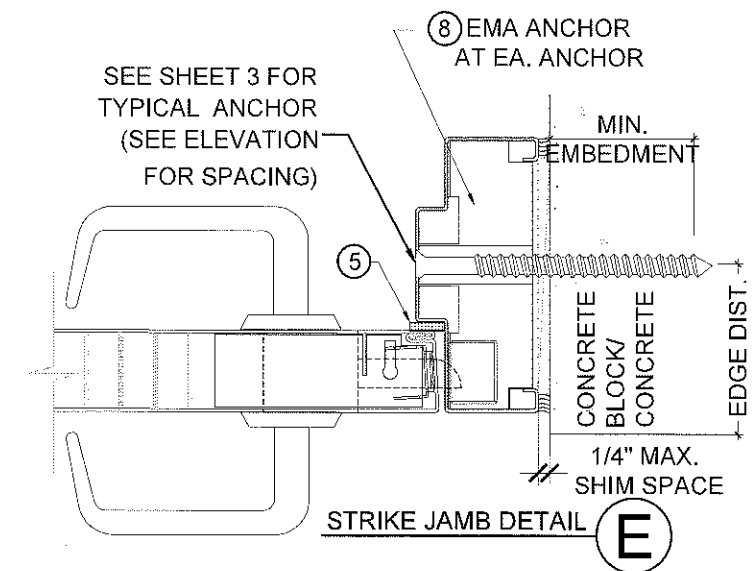
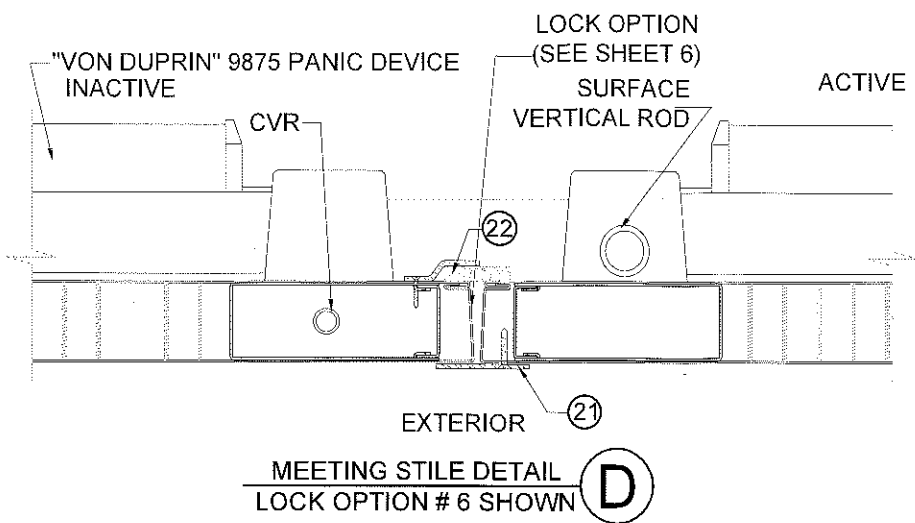
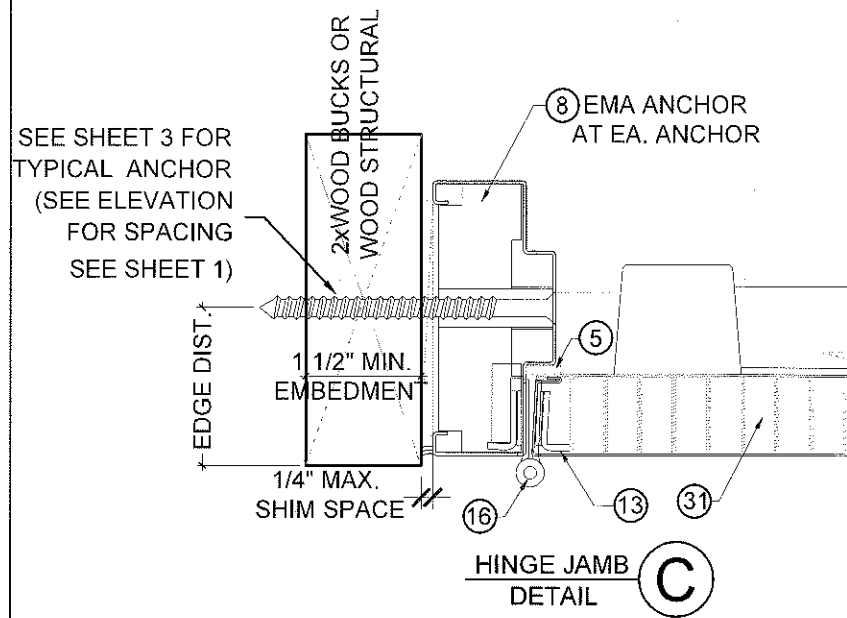
GENSTORM OUTSWING STEEL DOOR SYSTEM - LMI
gensteeldoors
www.gensteeldoors.com
4950 Hickmore, St. Laurent, Quebec, Canada, H4T1K6
Tel: (514) 733-3562 Fax: (514) 733-1932

PRODUCT REVISED
as complying with the Florida
Building Code
Acceptance No 17-0803.01
Expiration Date 7/14/20
Yiping Wang
Miami Dade Product Control

NOV 15 2017
YIPING WANG, P.E.
FLORIDA REGISTRATION
PE #55983
C.A.N. 28677333
Yiping Wang

DATE	02-05-11
SCALE	NTS.
DRAWN	S.L.
PROJECT	10-01
DRAWING NO.	AD10-01
SHEET	4 OF 8

MIAMI DADE COUNTY



** 22 PEMKO 375 ASTRAGAL W/ SPONGE NEOPRENE

NO.	DATE	DESCRIPTION
1	7/10/10	AS PER BCCO
2	8/20/15	2014 FBC
3	7/25/17	2017 FBC

MCY

MCY ENGINEERING, INC.
GLAZING CONSULTANTS

8501 SW 124 AVE. STE. 205A P: 305.271.0117
MIAMI, FL 33183 F: 786.573.5063

www.MCYUS.com
MCY.Engineering@Att.net

GENSTORM OUTSWING STEEL DOOR SYSTEM - LMI

gensteeldoors
www.gensteeldoors.com

4950 Hickmore, St. Laurent, Quebec, Canada, H4T1K6
Tel: (514) 733-3562 Fax: (514) 733-1932

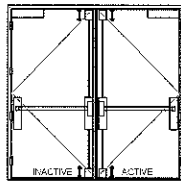
DATE	02-05-11
SCALE	NTS.
DRAWN	S.L.
PROJECT	10-01
DRAWING NO. AD10-01	
SHEET 5 OF 8	

NOV 15 2017

YIPING WANG, P.E.
FLORIDA REGISTRATION
PE #55983
C.A.N. 28677

PRODUCT REVISED
as complying with the Florida
Building Code
Acceptance No 17-0863-01
Expiration Date 7/4/20

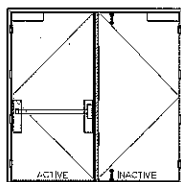
MIAMI DADE COUNTY



OPTION 1

ACTIVE LEAF:
 VON DUPRIN 9827EO SURFACE VERTICAL ROD WITH #229 STRIKE USING SIX #9x25mm (1") MACHINE SCREWS AND TWO #14x25mm (1") MACHINE SCREWS SEALED WITH "GE SILICONE II"
 "IVES" SB453 SURFACE MOUNT MANUALLY OPERATED FLUSH BOLT. TO BE FASTENED WITH (2) 10 x 1-1/2" TEKS SCREW + (2) 14x1 1-1/4" MS

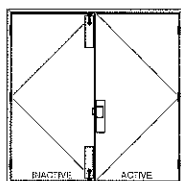
INACTIVE LEAF:
 VON DUPRIN 9827EO SURFACE VERTICAL ROD WITH #229 STRIKE USING SIX #9x25mm (1") MACHINE SCREWS AND TWO #14x25mm (1") MACHINE SCREWS SEALED WITH "GE SILICONE II"
 "IVES" SB453 SURFACE MOUNT MANUALLY OPERATED SURFACE BOLT TO BE FASTENED WITH (4) 12 x 1-1/4" FH MS PEMKO #375CR OVERLAPPING ASTRAGAL



OPTION 2

ACTIVE LEAF:
 "VON DUPRIN" 9875 MORTISE EXIT WITH (2) 8-32 x 3/8" FH MS. LOCATED 39-3/4" FROM BOTTOM

INACTIVE LEAF:
 "IVES" SB453 SURFACE MOUNT MANUALLY OPERATED SURFACE BOLT TO BE FASTENED WITH (4) 12 x 1-1/4" FH MS PEMKO #375CR OVERLAPPING ASTRAGAL

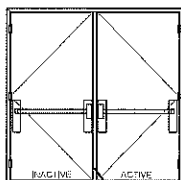


OPTION 3

ACTIVE LEAF:
 "SARGENT" 8200 SURFACE MOUNT MORTISE LOCK WITH HANDLE. WITH SURFACE MOUNT METALLIC DEAD-BOLT. LOCATED 38" FROM BOTTOM WITH (2) 8-32 x 1/4" FH MS

INACTIVE LEAF:
 6-3/4" LONG 18 GA STRIKE BOX TO BE FASTENED BY (2)#12-24 SCREWS
 "IVES" SB453 SURFACE MOUNT MANUALLY OPERATED SURFACE BOLT AT TOP AND BOTTOM. WITH (4) 1/4-20 x1-3/8" FH MS

SURFACE MOUNT METALLIC STRIKE PLATE AT FRAME HEAD TO BE FASTENED WITH (2) #10 x 1-1/4" FH SMS



OPTION 4 (RIM EXIT WITH MULLION)

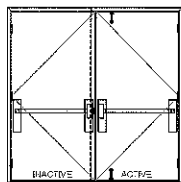
ACTIVE LEAF:
 "PRECISION" HC2100 RIM EXIT PANIC MECHANISM. SURFACE MOUNT LOCATED 41-3/4" FROM BOTTOM WITH BY (4) 10-20 x 1-1/4" OH MS

INACTIVE LEAF:
 "PRECISION" HC2100 RIM EXIT PANIC DEVICE. SURFACE MOUNT LOCATED 41-3/4" FROM BOTTOM WITH BY (4) 1/4-20 x 1" FH MS

REINFORCED MULLION:
 HC822 PRECISION HARDWARE REMOVABLE WITH (4) 1/4" 20 x 1/2" MS OR #14 x 1" SMS AT TOP. 3/8" x 2-1/4" SLEEVE ANCHOR EMBEDDED 1-1/2" INTO CONCRETE AT BOTTOM.

LOCK OPTIONS

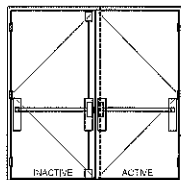
LOCK OPTIONS FOR DOUBLE DOORS ACTIVE PANEL CAN APPLY TO SINGLE DOORS



OPTION 5

ACTIVE LEAF:
 "PRECISION" HC2300 MORTISE PANIC EXIT. SURFACE MOUNT MANUALLY OPERATED FLUSH BOLT AT TOP AND BOTTOM. WITH (4) 10 x 1-1/4" FH SMS

INACTIVE LEAF:
 "PRECISION" HC2800 CONCEALED VERTICAL ROD. SURFACE MOUNT TWO POINT LOCK SYSTEM WITH "PRECISION" PANIC DEVICE LOCATED 40" FROM BOTTOM WITH (4) 10-24 x 1-1/4" OH MS

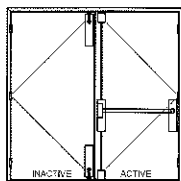


OPTION 6

ACTIVE LEAF:
 "PRECISION" HC2800 CONCEALED VERTICAL ROD. SURFACE MOUNT TWO POINT LOCK SYSTEM WITH "PRECISION" PANIC DEVICE WITH (4) 10-24 x 1-1/4". LOCATED 39-1/2" FROM BOTTOM

INACTIVE LEAF:
 "PRECISION" HC2200 SURFACE VERTICAL ROD. SURFACE MOUNT TWO POINT LOCK SYSTEM WITH "PRECISION" PANIC DEVICE WITH (4) 10-24 x 1-1/4" OH MS. LOCATED 39-1/2" FROM BOTTOM

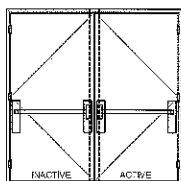
(2)-SURFACE MOUNT METALLIC STRIKE PLATE AT HEAD TO BE FASTENED WITH (2) 1/4-20 FH MS



OPTION 7

ACTIVE LEAF:
 "PRECISION" HC2200 SURFACE VERTICAL ROD. (4) 10-24 x 1-1/4" OH MS. LOCATED 39-3/4" FROM BOTTOM

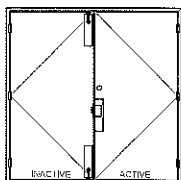
INACTIVE LEAF:
 "IVES" SB453 SURFACE MOUNT MANUALLY OPERATED FLUSH BOLT. TO BE FASTENED WITH (4) 12 x 1-1/4" FH MS



OPTION 8

ACTIVE LEAF:
 "VON DUPRIN" 9847 CONCEALED VERTICAL ROD WITH PANIC DEVICE WITH (2) 8-32 x 3/8" FH MS. LOCATED 39-3/4" FROM BOTTOM

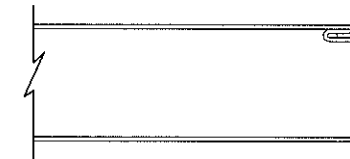
INACTIVE LEAF:
 "PRECISION" HC2800 CONCEALED VERTICAL ROD. SURFACE MOUNT TWO POINT LOCK SYSTEM WITH "PRECISION" PANIC DEVICE WITH (4) 10-24 x 1-1/4". LOCATED 39-1/2" FROM BOTTOM



OPTION 9

ACTIVE LEAF:
 "DORMA" CL700 SURFACE MOUNT METALLIC HANDLE AT 39 1/2" FROM BOTTOM WITH (2) #8-36 X 3/8" PH MS AND (2) #8 X 3/8" FH MULTI THREAD SCREW.
 "DORMA" DB660 SURFACE MOUNT METALLIC DEAD BOLT AT 45 1/2" FROM BOTTOM WITH (2)1/4"-20 X 1 5/8" FH MS; (2) #10-32 X 2 3/8" PH MS AND (2)#8 X 3/8" FH MULTI THREAD SCREW.

INACTIVE LEAF:
 ONE FLUSH MOUNT METALLIC STRIKE PLATE AT 39 1/2" FROM BOTTOM W/ (2) #10 X 1" FH SMS AND ONE FLUSH MOUNT METALLIC STRIKE PLATE AT 45 1/2" FROM BOTTOM W/ (2)#8 X 3/8" FH MULTI THREAD SCREW.
 "IVES" SB453 SURFACE MOUNT MANUALLY OPERATED SURFACE BOLT TO BE FASTENED WITH (4) 12 x 1-1/4" FH MS



DOOR EDGE CONSTRUCTION

DOUBLE DOOR

HINGES: STEEL MORTISE HINGES 4 PER LEAF. LOCATED AT 9-5/8" MAX. FROM TOP OF DOOR TO CENTER LINE OF 1ST. HINGE. AND TO BE SPACED OUT NOT TO EXCEED 37-15/16" FROM CL TO CL OF HINGE. TO BE FASTENED BY #12-24 x 1/2" FLATHEAD MACHINE SCREWS.

SINGLE DOOR

HINGES: STEEL MORTISE HINGES 4 PER LEAF. LOCATED AT 11-3/4" MAX. FROM TOP OF DOOR TO CENTER LINE OF 1ST. HINGE. AND TO BE SPACED OUT NOT TO EXCEED 25-5/16" MAX. FROM CL TO CL OF HINGE. TO BE FASTENED BY #12-24 x 1/2" FLATHEAD MACHINE SCREWS.

OPTION 10

ACTIVE LEAF:
 "DORMA" CL700 SURFACE MOUNT METALLIC HANDLE AT 39 1/2" FROM BOTTOM WITH (2) #8-36 X 3/8" PH MS AND (2) #8 X 3/8" FH MULTI THREAD SCREW.
 "DORMA" DB660 SURFACE MOUNT METALLIC DEAD BOLT AT 45 1/2" FROM BOTTOM WITH (2)1/4"-20 X 1 5/8" FH MS; (2) #10-32 X 2 3/8" PH MS AND (2)#8 X 3/8" FH MULTI THREAD SCREW.

INACTIVE LEAF:
 "IVES" FB458 FLUSH MOUNT METALLIC FLUSH BOLTS AT 12" AND 71" FROM BOTTOM W/ (4) #8 X 3/8" FH MULTI THREAD SCREW.
 ONE FLUSH MOUNT METALLIC STRIKE PLATE AT 39 1/2" FROM BOTTOM W/ (2) #10 X 1" FH SMS AND ONE FLUSH MOUNT METALLIC STRIKE PLATE AT 45 1/2" FROM BOTTOM W/ (2)#8 X 3/8" FH MULTI THREAD SCREW.

PRODUCT REVISED as complying with the Florida Building Code
 Acceptance No 17-0803-01
 Expiration Date 7/1/20
 Yiping Wang, P.E.
 Professional Engineer

NOV 15 2017

YIPING WANG, P.E.
 FLORIDA REGISTRATION
 PE #55983
 C.A.N. 28677

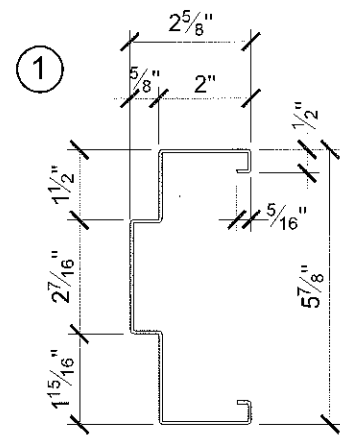
MIAMI DADE COUNTY

NO.	DATE	DESCRIPTION
1	7/10/10	AS PER BCCO
2	8/20/15	2014 FBC
3	7/25/17	2017 FBC

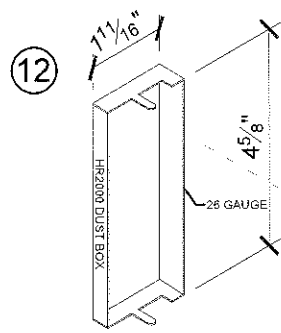
MCY
 MCY ENGINEERING, INC.
 GLAZING CONSULTANTS
 8501 SW 124 AVE. STE. 205A P: 305.271.0117
 MIAMI, FL 33183 F: 786.573.5063
 www.MCYUS.com
 MCY.Engineering@Att.net

GENSTORM OUTSWING STEEL DOOR SYSTEM - LMI
gensteeldoors
 www.gensteeldoors.com
 4950 Hickmore, St. Laurent, Quebec, Canada, H4T1K6
 Tel: (514) 733-3562 Fax: (514) 733-1932

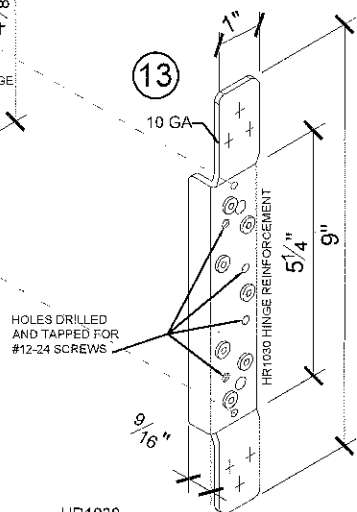
DATE	02-05-11
SCALE	NTS.
DRAWN	S.L.
PROJECT	10-01
DRAWING NO.	AD10-01
SHEET	6 OF 8



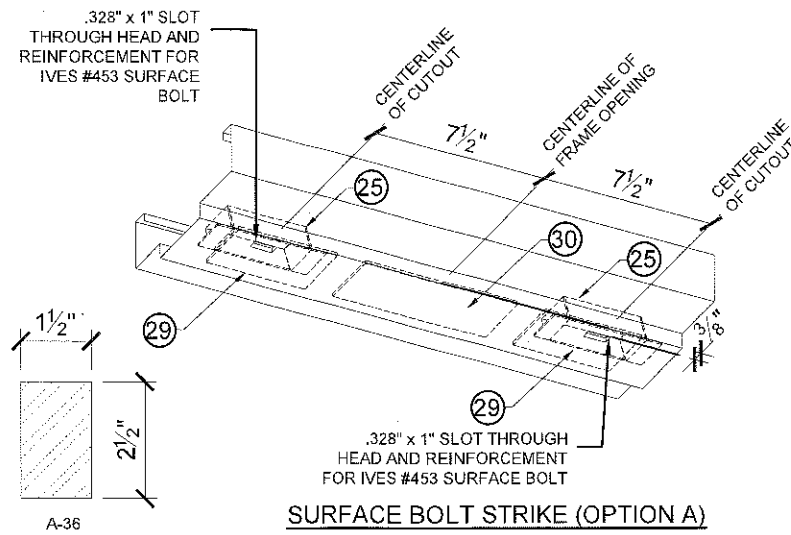
18 GA DOOR FRAME JAMB AND HEAD



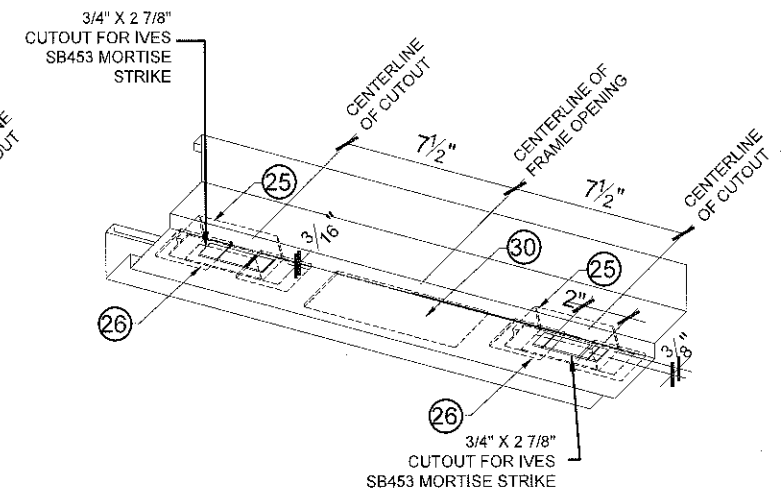
HR2000
DUST BOX



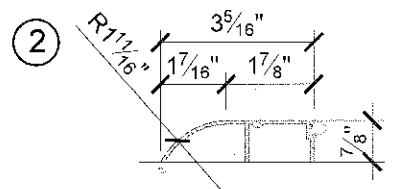
HR1030
10 GA HINGE REINFORCEMENT



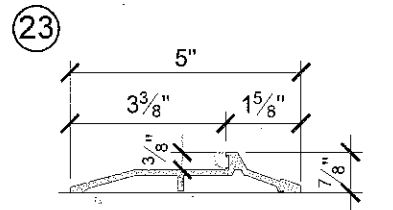
A-36
STEEL BAR INSERT
REMOVABLE MULLION REINFORCEMENT



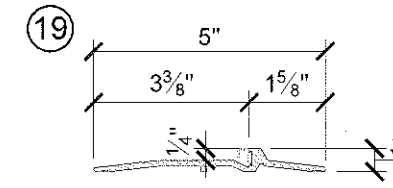
SURFACE BOLT STRIKE (OPTION B)



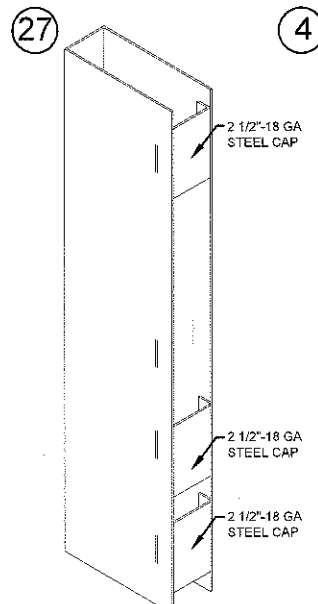
THRESHOLD



THRESHOLD

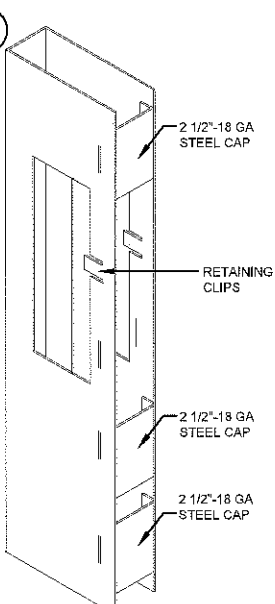


OPTIONAL THRESHOLD



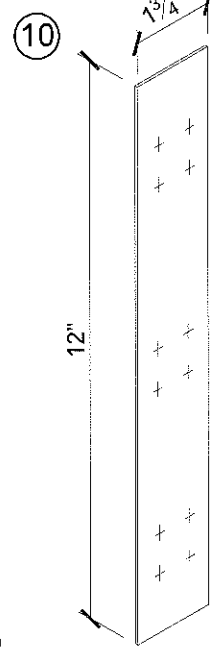
PART No. DC1000 & DR1000 (18 GA.)

CLOSER BOX
REINFORCEMENT



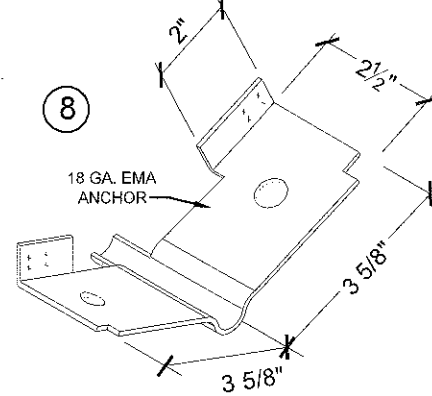
PART No. DR1010 (18 GA.)

MORTISE BOX
REINFORCEMENT

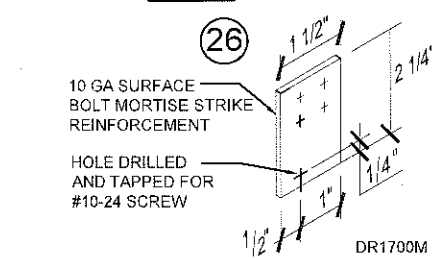


FR1200 (16 GA.)

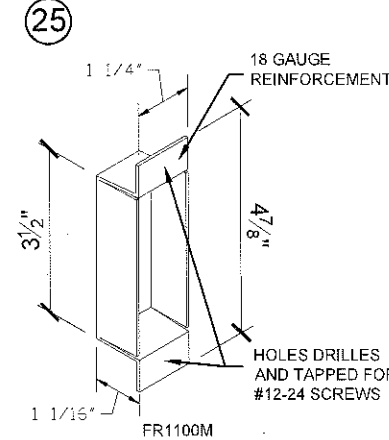
FRAME REINFORCEMENT



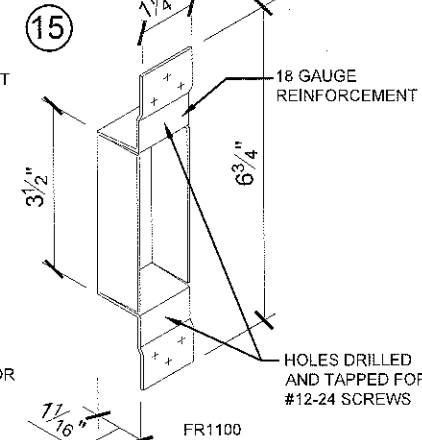
FA3010
EMA STEEL ANCHOR
Fy= 60 KSI



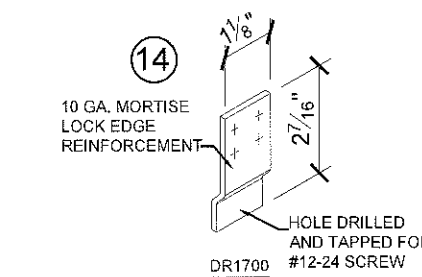
SURFACE BOLT STRIKE
REINFORCEMENT



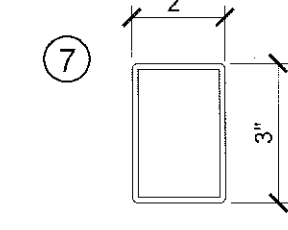
FR1100M
STRIKE DUST BOX



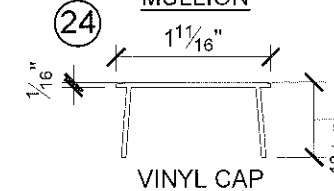
FR1100
ASA STRIKE BOX REINFORCEMENT



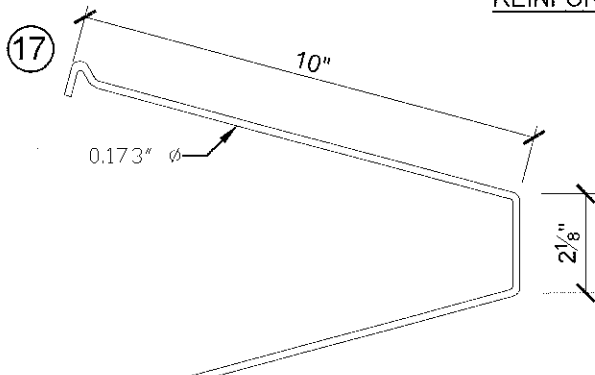
DR1700
MORTISE LOCK EDGE
REINFORCEMENT



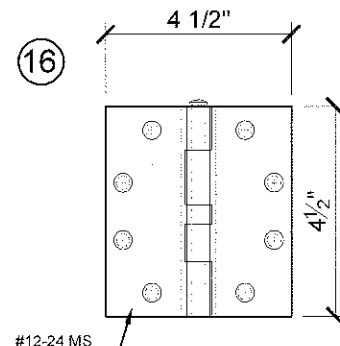
HC822
PRECISION STEEL
MULLION



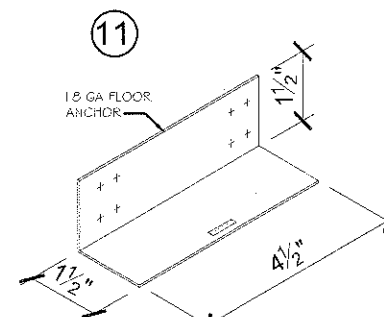
VINYL CAP



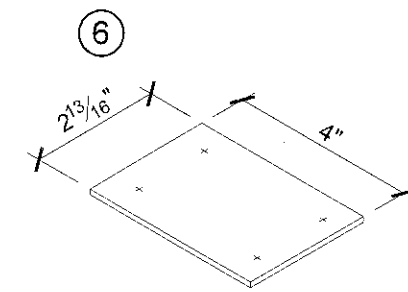
FA3030
MASONRY WIRE ANCHOR Fy = 60 ksi



#12-24 MS (4 PER LEAF)
.134" THICK STEEL HINGE

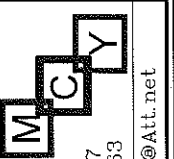


FA1040
FLOOR ANCHOR



12 GA. REINFORCEMENT PLATE

NO.	DATE	DESCRIPTION
1	7/10/10	AS PER BCCO
2	8/20/15	2014 FBC
3	7/25/17	2017 FBC



MCY ENGINEERING, INC.
GLAZING CONSULTANTS

8501 SW 124 AVE. STE. 205A P: 305.271.0117
MIAMI, FL 33183 F: 786.573.5063
www.MCYUS.com MCY.Engineering@Att.net

GENSTORM OUTSWING STEEL DOOR SYSTEM - LM1

Gensteeldoors
www.gensteeldoors.com

4950 Hickmore, St. Laurent, Quebec, Canada, H4T1K6
Tel: (514) 733-3562 Fax: (514) 733-1932

DATE	02-05-11
SCALE	NTS.
DRAWN	S.L.
PROJECT	10-01

DRAWING NO.
AD10-01

SHEET 7 OF 8

PRODUCT REVISED
as complying with the Florida
Building Code
Acceptance No. 17-0803.01
Expiration Date 7/4/20
Y. Wang / Choudhury
Quality Control

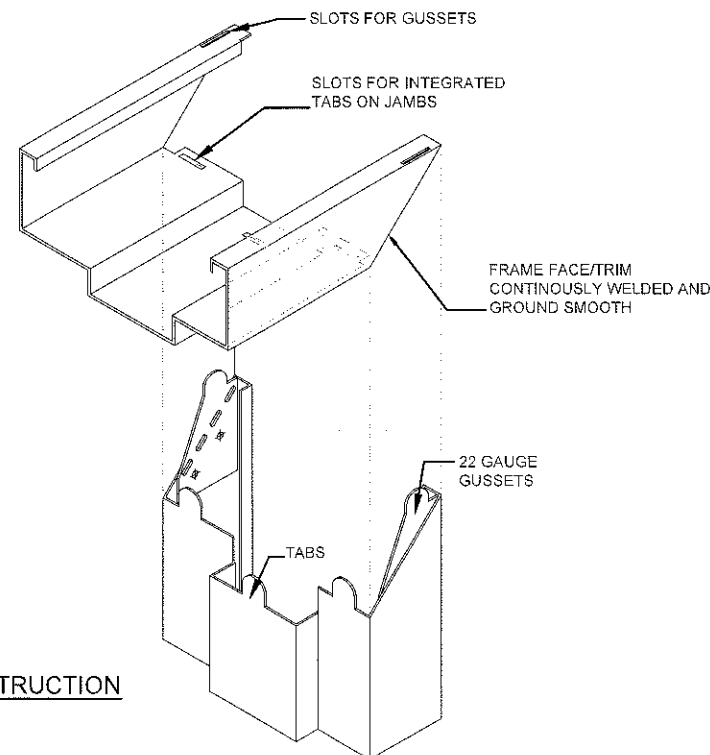
YIPING WANG, P.E.
FLORIDA REGISTRATION
PE #55983
C.A.N. 28672



MIAMI DADE COUNTY

BILL OF MATERIALS

ITEM	PART No.	MATERIAL	QTY.	DESCRIPTION	MANUFACTURER/SUPPLIER/ REMARKS
1	-	STEEL DR ST/ST	AS REQD.	FRAME HEAD/JAMB (5- $\frac{7}{8}$ ' x 2')	18 GA. (0.048MIN.) Fu= 48KSI MIN.
2	PMK2051	ALUM.	1	THRESHOLD	PEMKO WITH VINYL INSERT
3	-	STEEL DR ST/ST	AS REQD.	DOOR PANEL	20 GA. (0.036MIN) Fu= 55 KSI MIN.
4	DR1010	STEEL	AS REQD.	MORTISE BOX REINFORCEMENT	GENSTEEL
5	P 387	-	AS REQD.	PEMKO 387 CLOSED CELL SPONGE WEATHERSTRIP	PEMKO
6	-	STEEL	AS REQD.	2- $\frac{3}{8}$ ' x 4' 12 GA. STEEL REINFORCEMENT	GENSTEEL
7	HC822	ALUM.	AS REQD.	REMOVABLE MULLION	PRECISION HARDWARE
8	FA3010	STEEL	AS REQD.	EMA ANCHOR	GENSTEEL
9	SB453	-	AS REQD.	$\frac{3}{4}$ " SURFACE BOLT	IVES SB453
10	FR1200	STEEL	AS REQD.	1- $\frac{3}{4}$ ' x 12" 16 GA. FRAME REINFORCEMENT	GENSTEEL
11	FA1040	STEEL	2	FLOOR ANCHOR 18 GA. (1- $\frac{1}{2}$ ' x 1- $\frac{1}{2}$ ' x 4- $\frac{1}{2}$ ' LG)	GENSTEEL
12	HR2000	STEEL	4 PER LEAF	HINGE DUSTBOX	GENSTEEL
13	HR1030	STEEL (10 GA.)	4 PER LEAF	HINGE REINFORCEMENT WELDED TO FRAME OR DOOR	GENSTEEL
14	DR1700	STEEL	AS REQD.	MORTISE LOCK EDGE REINFORCEMENT WELDED	GENSTEEL
15	FR1100	STEEL	AS REQD.	ASA STRIKE BOX REINFORCEMENT	GENSTEEL
16	179-454	STEEL	4 PER LEAF	DOREX, HAGER #179-454-15 HINGE	STANLEY
17	FA3030	STEEL	AS REQD.	MASONRY WIRE ANCHOR	0.173 DIA. Fy=60 ksi
18	-	STEEL	AS REQD.	20GA. DUSTBOX	GENSTEEL
19	PMK2005AT	ALUM.	1	THRESHOLD OPTION	PEMKO
20	2100	ALUM.	1 PER LEAF	DOOR SWEEP	UNIQUE
21	AS1080	STEEL	1	10GA. 2" FLAT ASTRAGAL W/ #12-14 x 7/8" SCREWS @ 12" O.C.	GENSTEEL
22	375CR	ALUM.	1	ASTRAGAL WITH SPONGE NEOPRENE W/ #6 x1" TEK SCREWS @ 6" O.C.	PEMKO 375CR
23	PMK177A	ALUM.	1	THRESHOLD	PEMKO
24	-	VINYL.	1	VINYL CAP	-
25	FR1100M	STEEL	AS REQD.	STRIKE DUST BOX	GENSTEEL
26	DR1700M	STEEL	AS REQD.	SURFACE BOLT STRIKE REINFORCEMENT	GENSTEEL
27	DC1000 & DR1000	STEEL	AS REQD.	CLOSER BOX REINFORCEMENT	GENSTEEL
28	CH3601	STEEL	2	DOOR END CHANNEL	GENSTEEL
29	-	STEEL	AS REQD.	2' x 4 1/2' 10 GA. REINFORCEMENT	GENSTEEL
30	-	STEEL	AS REQD.	2' x 6 3/4' 10 GA. REINFORCEMENT	GENSTEEL
31	HONEYCOMB	-	AS REQD.	INSIDE OF DOOR PANEL	GENSTEEL



PRODUCT REVISED
 as complying with the Florida
 Building Code
 Acceptance No. 17-0863-01
 Expiration Date July 09, 2020
(Signature)
 Product Control

NOV 15 2017

YIPING WANG, P.E.
 FLORIDA REGISTRATION
 PE #55983
 C.A.N. 528677

(Signature)

MIAMI DADE COUNTY

REVISIONS	
NO. DATE	DESCRIPTION
1 7/10/10	AS PER BCCO
2 8/20/16	2014 FBC
3 7/25/17	2017 FBC

MCY ENGINEERING, INC.
 GLAZING CONSULTANTS

8501 SW 124 AVE. STE. 205A P: 305.271.0117
 MIAMI, FL 33183 F: 786.573.5063

www.MCYUS.com MCY.Engineering@Att.net

GENSTORM OUTSWING STEEL DOOR SYSTEM - LMI

www.gensteeldoors.com
 4950 Hickmore, St. Laurent, Quebec, Canada, H4T1K6
 Tel: (514) 733-3562 Fax: (514) 733-1932

DATE	02-05-11
SCALE	NTS.
DRAWN	S.L.
PROJECT	10-01
DRAWING NO. AD10-01	
SHEET 8 OF 8	